

RPI29F



A heavy duty medium temperature smoke door bottom seal. The seal is achieved by a pair of nylon brush strips with a medium temperature smoke barrier.

The seal can be checked out or drilled to accommodate the pivot, thereby providing a continuous seal.

Location Double butt hinged and centre pivot double acting doors.

Min/Max Gap 15mm to 18mm.

Seal Sizes Available in stock lengths.

Standard Finish Aluminium anodised 15 microns. Satin Clear (Silver). P.E. Paint (at extra cost, refer [page 3](#)).

Seal Material Fine, dense, black nylon filaments, UV stabilised and medium temperature fin. Galvanised steel spine.

Fixing Method Zinc plated, cross recess S.T. screws of the appropriate size and colour are supplied.

Replacement Seal RP52F.

Used in Conjunction Raven RPI30 Si, other perimeter seals and threshold plates. Refer to **world first** sealing system [page 31](#).

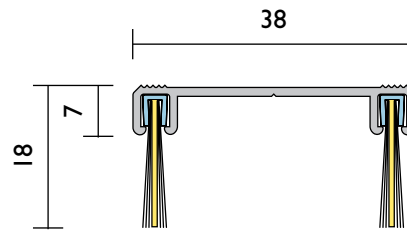
Approvals

Smoke AUS/NZ: Meets NCC BCA Spec. C3.4 for smoke doors. Meets requirements of NZ BC Compliance Doc. C/ASI 6.19.2(b). Tested to AS 1530.7, ISO 5925-1 & EN 1634-3 (similar to BS 476 section 31.1). Meets smoke leakage rates specified in AS 6905 & EN 13501-2 "Sa", "Sm".

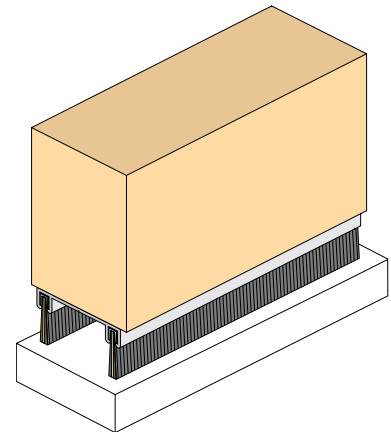
Durability Tested to over 1,000,000 operating cycles without failure.

Energy Complies with NCC BCA Pt. 3.12.3.3 & J3.4 for Building Sealing and Energy efficiency.

Patented, Registered Design.



AVAILABLE
JUNE 2012



RPI29 Si



A heavy duty medium temperature smoke and weather door bottom seal. The seal is achieved by a pair of silicon fins that meet the deemed to satisfy specification C3.4 for smoke doors.

The seal can be checked out or drilled to accommodate the pivot, thereby providing a continuous seal.

Location Double butt hinged and centre pivot double acting doors.

Min/Max Gap 14mm to 18mm.

Seal Sizes Available in stock lengths.

Standard Finish Aluminium anodised 15 microns. Satin Clear (Silver). P.E. Paint (at extra cost, refer [page 3](#)).

Seal Material Silicon Rubber (SE) (Light grey).

Fixing Method Zinc plated, cross recess S.T. screws of the appropriate size and colour are supplied.

Replacement Seal RP3129 Si.

Used in conjunction Raven threshold plates. Refer to sealing system [page 39](#).

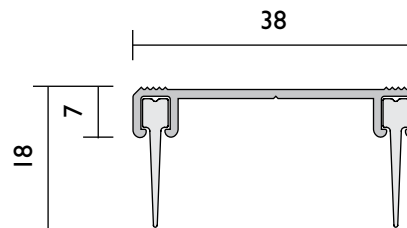
Approvals

Smoke AUS/NZ: Meets NCC BCA Spec. C3.4 Pt. 3.2. Meets requirements of NZ BC Compliance Doc. C/ASI 6.19.2(b). **Fire** Gasket flammability index 1 when tested to AS 1530.2.

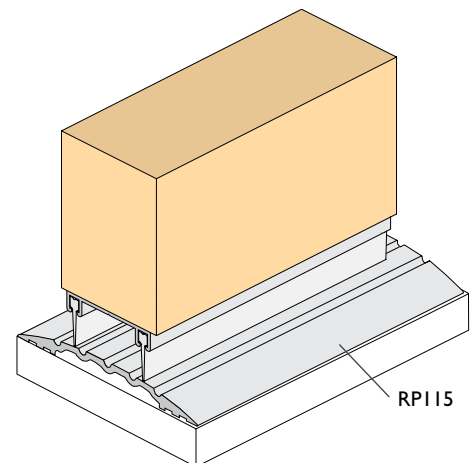
Durability Tested to over 1,000,000 operating cycles without failure.

Energy Complies with NCC BCA Pt. 3.12.3.3 & J3.4 for Building Sealing and Energy efficiency.

Registered Design.



AVAILABLE
JUNE 2012



See next page 'brush strip seals'.