

RP126 Si



RP126 Si is a heavy duty automatic door bottom seal which is spring loaded to lift clear off the floor as soon as the door leaf is opened by a few millimetres.

RP126 Si has an extruded silicon component for medium temperature smoke and is an acoustically designed seal for face mounted or semi-morticed applications. The door bottom seal is operated automatically by pressure against the door jamb on its adjustment block (strike).

RP126 Si seals when the door closes and retracts automatically when the door is opened.

Location Solid core single and double butt hinged doors. Face fix and semi morticed applications. Minimum door thickness 40mm recommended.

Min/Max Gap 1mm to 14mm.

Seal Material Silicon Rubber (Black).

Seal Sizes 1500mm, 1220mm, 1070mm, 920mm, 820mm, 600mm to 305mm (min). Seals cut back to exact size.

Standard Finish Aluminium anodised 15 microns. Satin Clear (Silver). P.E. Paint (at extra cost, refer page 3).

Fixing Method Zinc plated, cross recess CSK S.T. screws of the appropriate size and colour are supplied. Escutcheon plates supplied.

Replacement Seal RP3126 Si.

Approvals

Fire & Smoke AUS/NZ: Meets NCC BCA Spec. C3.4 for fire & smoke doors. Meets requirements of NZ BC Compliance Doc. C/AS1 6.19.2 & App. C6.1.1.

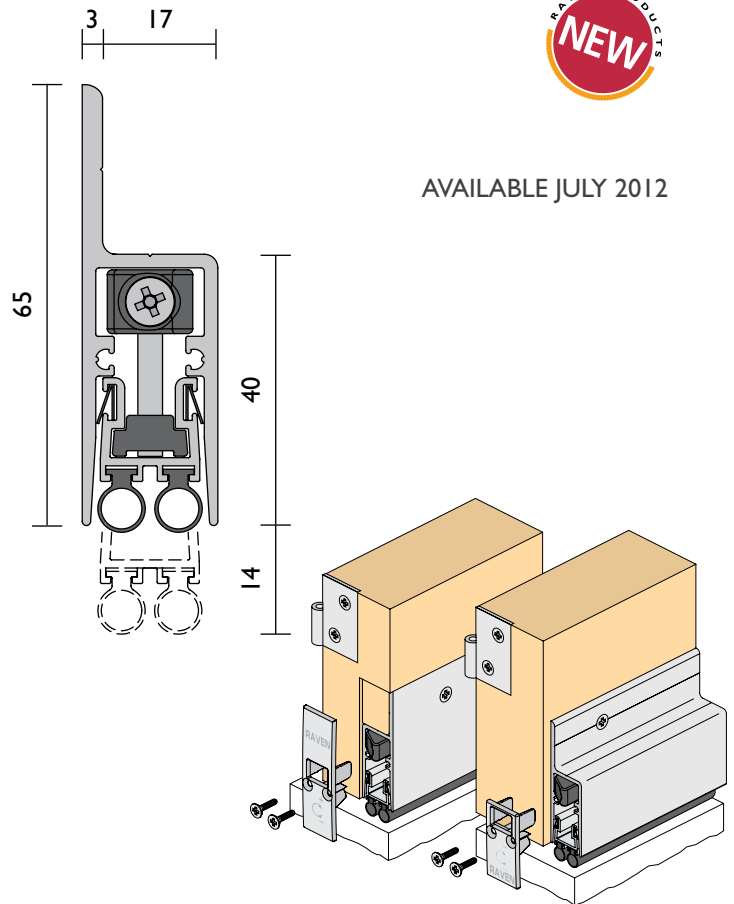
Gasket flammability index 1 when tested to AS 1530.2.

Smoke Tested to AS 1530.7, ISO 5925-1 & EN 1634-3. Meets smoke leakage rates specified in AS 6905 & EN 13501-2 "Sa", "Sm".

Durability Tested to over 1,000,000 operating cycles without failure.

Energy Complies with NCC BCA Pt. 3.12.3.3 & J3.4 for Building Sealing and Energy efficiency.

Patented, Registered Design.



AVAILABLE JULY 2012

RP127 Si



RP127 Si is a heavy duty automatic door bottom seal which is spring loaded to lift clear off the floor as soon as the door leaf is opened by a few millimetres.

RP127 Si has an extruded silicon component for medium temperature smoke and is an acoustically designed seal for fully morticed applications. The door bottom seal is operated automatically by pressure against the door jamb on its adjustment block (strike).

RP127 Si seals when the door closes and retracts automatically when the door is opened.

Location Solid core single and double butt hinged doors. Fully morticed applications. Minimum door thickness 40mm recommended.

Min/Max Gap 3mm to 14mm.

Seal Material Silicon Rubber (Black).

Standard Finish Aluminium anodised 15 microns. Satin Clear (Silver).

Seal Sizes 1500mm, 1220mm, 1070mm, 920mm, 820mm, 600mm to 305mm (min). Seals cut back to exact size.

Fixing Method Zinc plated, cross recess S.T. screws of the appropriate size and colour are supplied. Escutcheon plates supplied.

Replacement Seal RP3126 Si.

Approvals

Fire & Smoke AUS/NZ: Meets NCC BCA Spec. C3.4 for fire & smoke doors. Meets requirements of NZ BC Compliance Doc. C/AS1 6.19.2 & App. C6.1.1. Gasket flammability index 1 when tested to AS 1530.2.

Smoke Tested to AS 1530.7, ISO 5925-1 & EN 1634-3. Meets smoke leakage rates specified in AS 6905 & EN 13501-2 "Sa", "Sm".

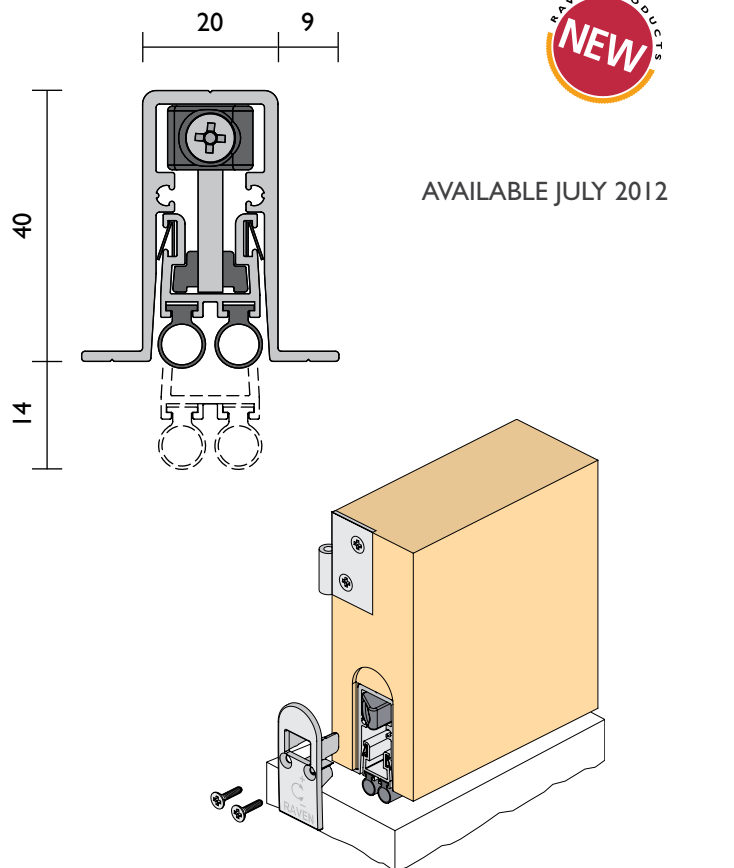
Durability Tested to over 1,000,000 operating cycles without failure.

Energy Complies with NCC BCA Pt. 3.12.3.3 & J3.4 for Building Sealing and Energy efficiency.

Energy Complies with NCC BCA Pt. 3.12.3.3 & J3.4 for Building Sealing and Energy efficiency.

Energy Complies with NCC BCA Pt. 3.12.3.3 & J3.4 for Building Sealing and Energy efficiency.

Patented, Registered Design.



AVAILABLE JULY 2012