

## RPI24



### Delta Seal Plus™

RPI24 is a co-extruded rigid and flexible copolymer acoustic smoke seal. This multi-finned self adhesive seal is located in the protected corners of rebated timber or steel door frames. RPI24 is suitable for new or retrofit applications.

**Location** Around rebated frames of single or double butt hinged doors.

**Min/Max Gap** 3mm to 5.5mm.

**Seal Sizes** Available in door set sizes.

**Seal Material** Co-extruded Rigid and Flexible flame retardant PVC (Black).

**Fixing Method** Self adhesive backing on both rigid fixing legs.

**Note:** Contact surface must be clean, smooth and if painted, well cured.

**Used in Conjunction** Raven door bottom seals, astragals and threshold plates.

### Approvals

**Acoustic AUS/NZ:** Conforms to NCC BCA Spec. F5.5.

**UK/EU:** Conforms to Approved Document E.

**Fire AUS/NZ:** Meets NCC BCA Spec. C3.4 for fire & smoke doors. Approved to AS 1530.4 & AS/NZS 1905.1. Meets requirements of NZ BC Compliance Doc. C/ASI 6.19.2 & App. C6.1.1.

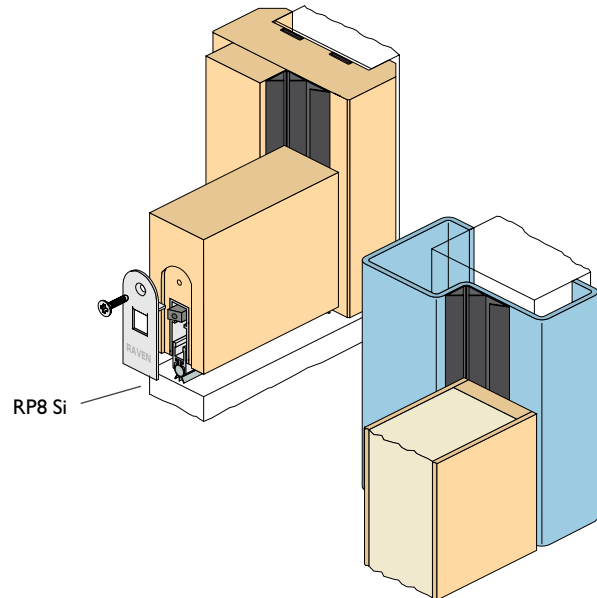
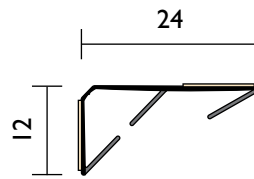
**UK/EU:** Conforms to Approved Document B. Approved to BS 476 Pt. 20 & 22 (similar to BS EN 1634-1).

Approved on fire rated doors up to **FRL & FRR-/I20/30 and FD120** 🔥

**Smoke** Tested to AS 1530.7, ISO 5925-1 & EN 1634-3 similar to BS 476 section 31.1. Meets smoke leakage rates specified in AS 6905 & EN 13501-2 "Sa", "Sm".

**Energy** Complies with NCC BCA Pt. 3.12.3.3 & J3.4 for Building Sealing and Energy efficiency.

**Registered Design.**



## RPI30 Si



A heavy duty medium temperature smoke seal designed to be fitted to the door head & jamb reveal of pivot door frames. May also be installed to the door stile edges and to one leaf of plain meeting stiles of timber double pivot doors. The aluminium body of the seal can be checked out or drilled to accommodate pivot hardware and latch ware at the meeting stile.

**Location** Around frames of single and double acting pivot doors. Stiles of timber doors.

**Min/Max Gap** 14mm to 18mm.

**Seal Sizes** Available in stock lengths.

**Standard Finish** Aluminium anodised 15 microns. Satin Clear (Silver). P.E. Paint (at extra cost, refer [page 3](#)).

**Seal Material** Fins: Silicon Rubber (SE) (Light grey). Coverstrip: PVC (Light grey).

**Fixing Method** Zinc plated, cross recess S.T. screws of the appropriate size and colour are supplied.

**Replacement Seal** RP3129 Si.

**Used in conjunction** Refer to sealing systems [page 31](#) and [39](#).

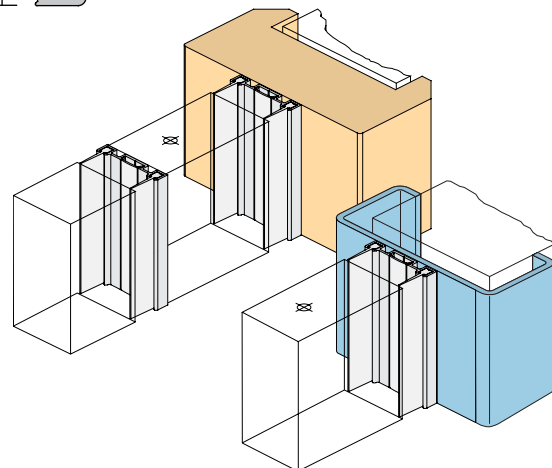
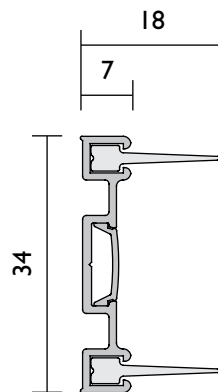
### Approvals

**Fire & Smoke AUS/NZ:** Meets NCC BCA Spec. C3.4 for smoke doors. Meets requirements of NZ BC Compliance Doc. C/ASI 6.19.2(b). Gasket flammability index 1 when tested to AS 1530.2.

**Smoke** Tested to AS 1530.7, ISO 5925-1 & EN 1634-3 similar to BS 476 section 31.1. Meets smoke leakage rates specified in AS 6905 & EN 13501-2 "Sa", "Sm".

**Energy** Complies with NCC BCA Pt. 3.12.3.3 & J3.4 for Building Sealing and Energy efficiency.

**Registered Design.**



AVAILABLE JUNE 2012